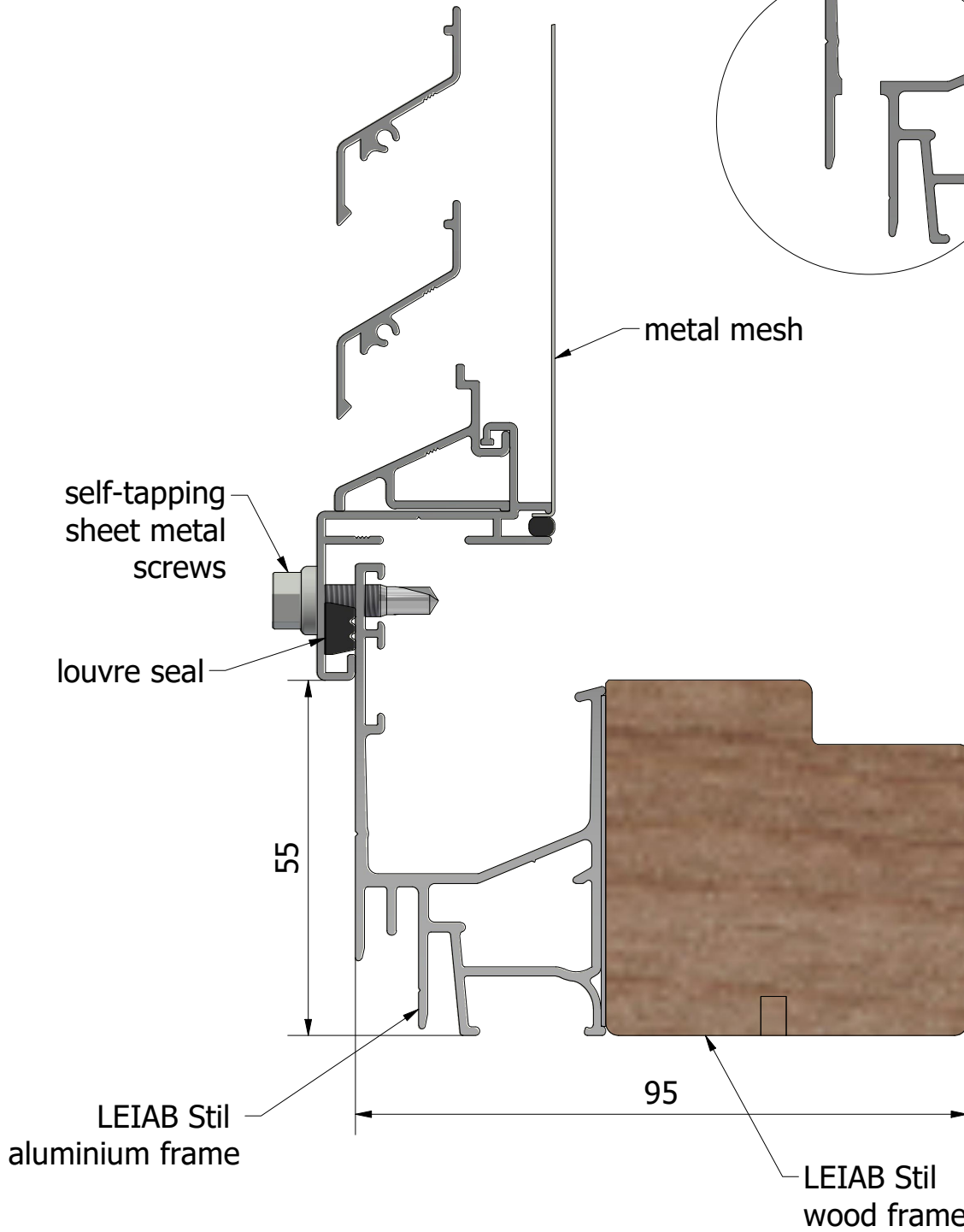
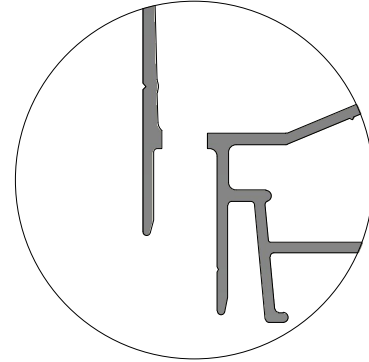
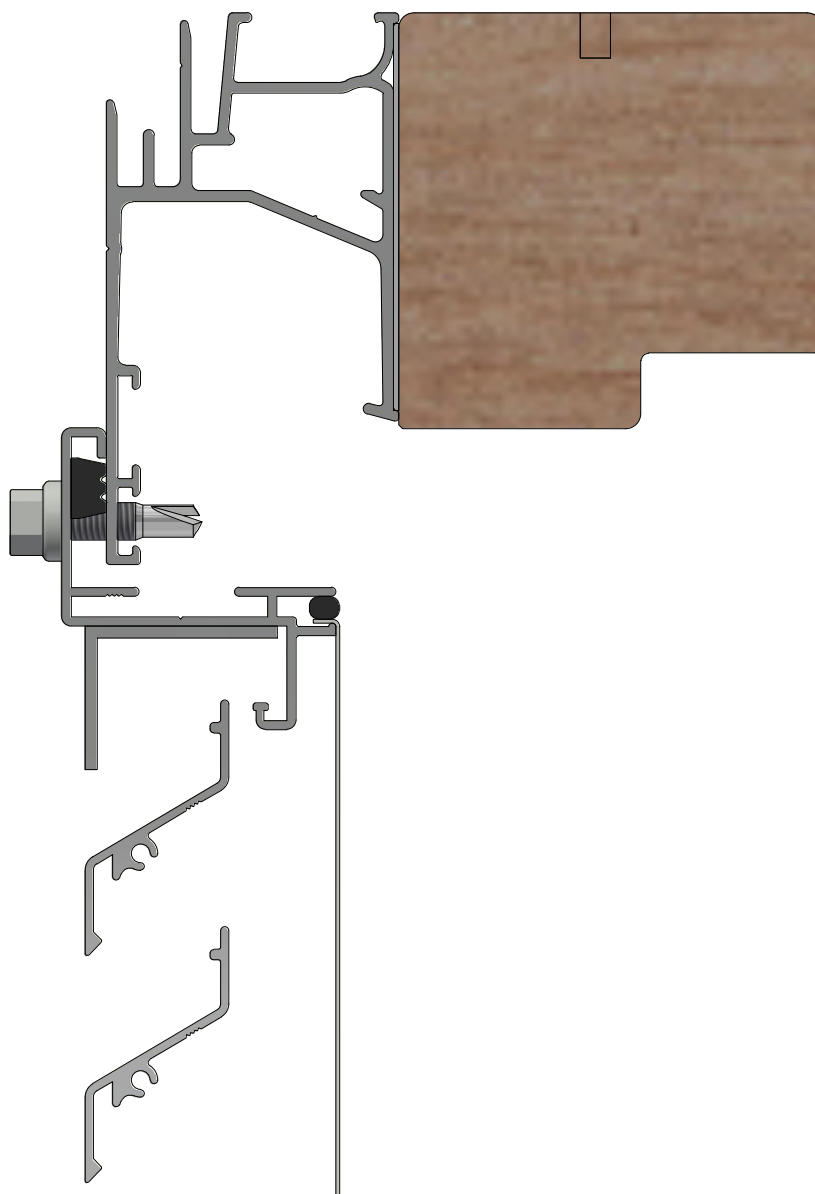
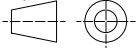
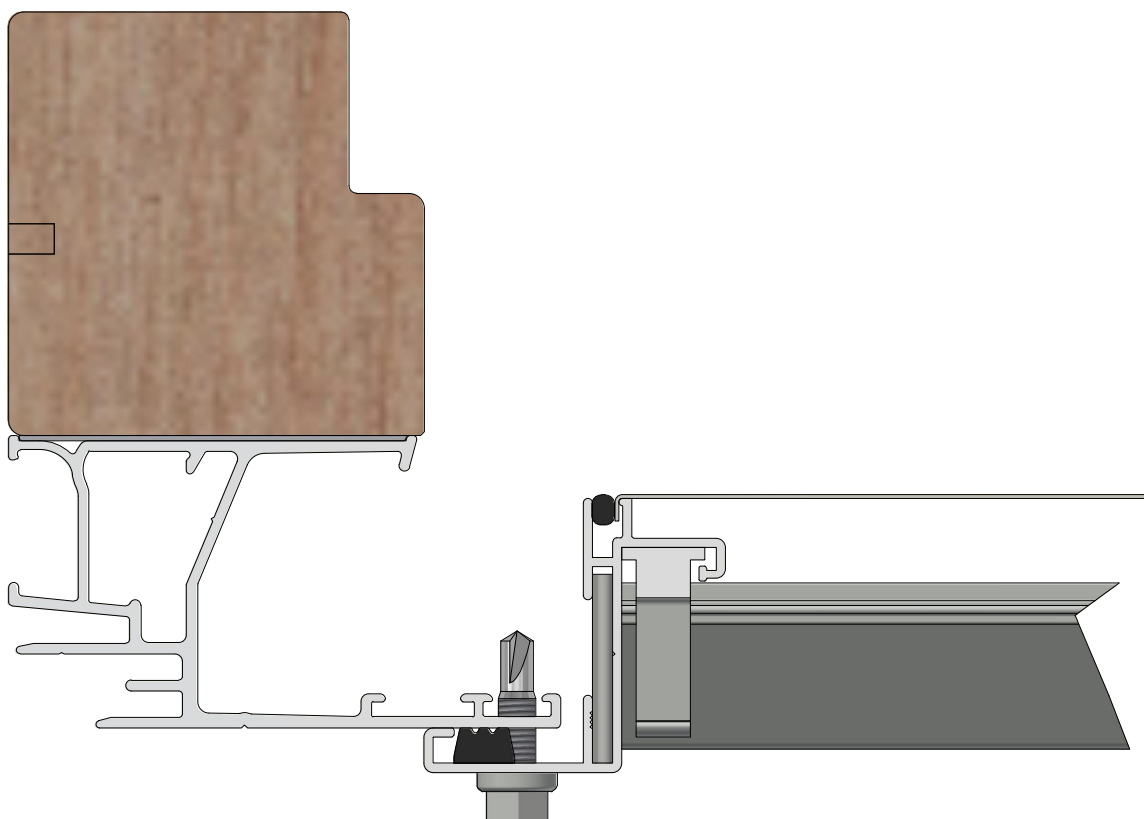
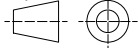


## Weep holes







## Vertical profiles at width > 600 mm

